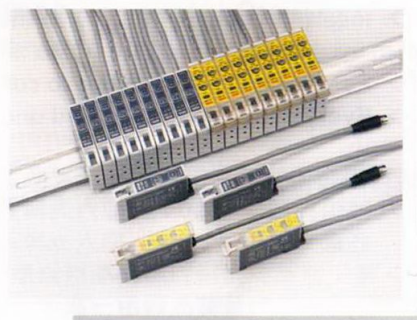


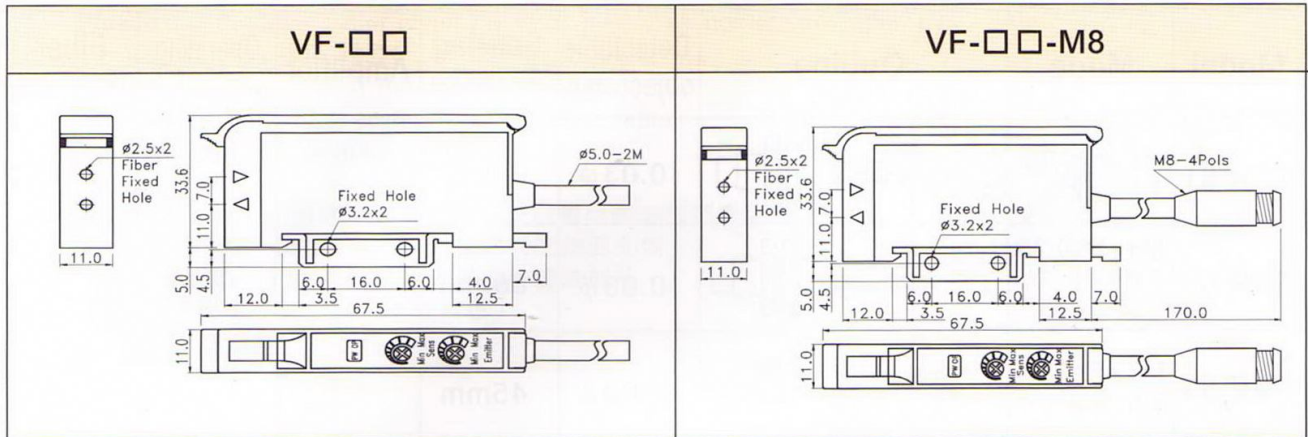
- ❖ **Easy to set optimal detection condition**
by Twin trimmer
- ❖ **High speed response time :**
ON < 0.2ms / OFF < 0.25ms
- ❖ **Dark ON / Light ON is changeable**
- ❖ **Protection circuit :**
Short circuit & Polarity reversed protection



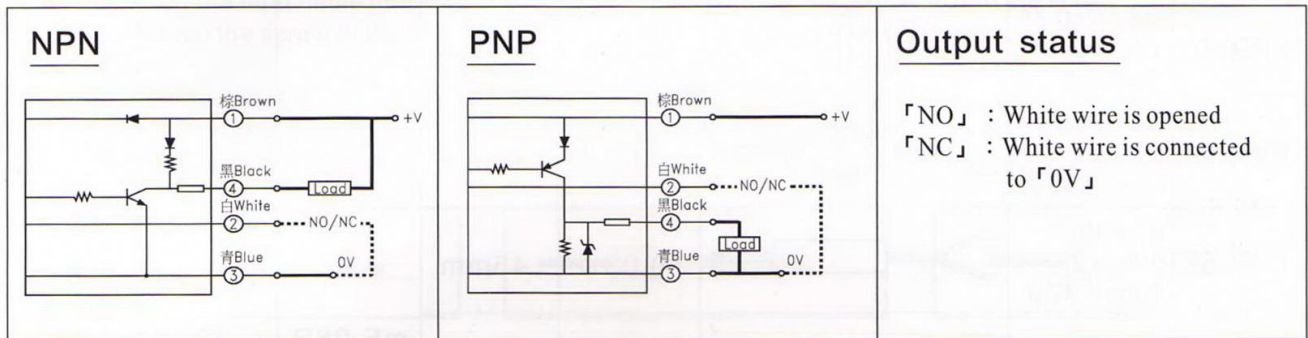
◆ Specification / 規格

Type	型式	Lead wire type 出線式		Lead wire M8 connector type M8 出線接頭式	
Model	型號	VF-06R	VF-06RP	VF-06R-M8	VF-06RP-M8
Output method	輸出方式	NPN	PNP	NPN	PNP
Emitter	發射光源	Red LED			
Operating voltage	工作電壓	10 ~ 30VDC			
Power ripple	電源漣波	20% peak to peak			
Current consumption	耗電流	40mA max.			
Sensing distance	檢測距離	Over 85 mm with FPR-51			
Hysteresis	應差	10 % of sensing distance max.			
Response time	應答時間	ON < 0.2ms ; OFF < 0.25ms.			
Trimmer	調整器	Emitter : Coarse adjuster ; Sens. : fine adjuster			
Output status	輸出狀態	NO / NC changeable			
Output current	輸出電流	150mA max.			
Residual voltage	殘留電壓	0.1V max.			
Leakage current	洩漏電流	0.8mA max.			
Protection circuit	保護電路	Short circuit & polarity reversed protection			
Housing material	外殼材質	Intensive ABS			
Operating circumstance	工作環境	-25°C ~ +80°C ; 35% ~ 85% RH			
Protection class	保護等級	IP-65			

◆ Dimension / 尺寸圖



◆ Output circuit & Connection diagram / 輸出回路



◆ How to adjust the trimmer / 如何調整調整器

- 1> Sens. Adjuster : fine adjuster : To adjust the sensitivity
- 2> Emitter adjuster : Coarse adjuster : To adjuster the strength of emitter (Normally, to be set to Max.)
 - 2-1> 「Reflex type in background condition」 :
Let the 「op」 pilot LED turn ON from OFF status without target by adjusting the 「Emitter adjuster」, then, Let the 「op」 pilot LED turn OFF by adjusting the 「Sens. Adjuster」.
 - 2-2> 「Through beam type to detect small object」 :
Let the 「op」 pilot LED turn ON from OFF status without target by adjusting the 「Emitter adjuster」, then, Let the 「op」 pilot LED turn ON from OFF status by adjusting the 「Sens. Adjuster」

- 1> 接收感度調整器：微調；可調整接收感度
- 2> 發射強度調整器：粗調；一般檢測條件請將發射強度調至"Max."
 - 2-1> 「反射型有背景物時」 先將發射強度調至"Min."再將發射強度調至動作燈"ON"後再調「接收感度調整器」至動作燈"OFF"。
 - 2-2> 「透過型檢測微小物」 先將發射強度調至"min."再將發射強度調至動作燈"ON"後再調「接收感度調整器」至動作燈"OFF"再調至動作燈"ON"後再調大一格。